



FEATURES

- Easy to set-up, easy to use
- Weeks/months/years of data storage
- User-selected sampling interval
- Data retrieval with laptop computer
- Single data retrieval device serves multiple data loggers

APPLICATIONS

- Water usage monitoring, reporting, and management
- Custody transfer regulation
- Peak demand monitoring



GENERAL INFORMATION

The DL76 is a battery-powered data logger that can be used with any Seametrics flowmeter. It stores pulses for up to 3 years, depending on the user-selected frequency of reading. Indicator lights on the unit flash to indicate when it is functioning and when the battery is low.

The DL76 can be factory-mounted on the meter or remotely mounted. Housings are rugged cast aluminum, gasketed for environmental protection.

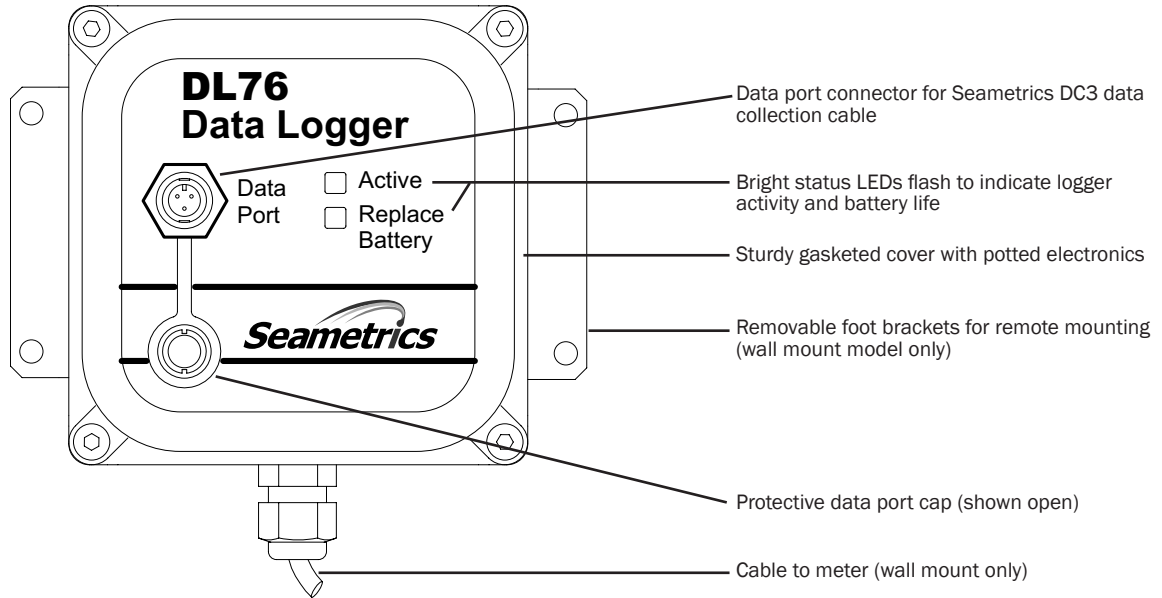
When a DL76 logger is placed into operation, it is easily set up using a laptop computer. Data is also retrieved from the

DL76 by means of a laptop and can be analyzed on the laptop or easily loaded on a desktop computer for analysis.

***FlowInspector version 2 software (ordered separately) is required** for the downloading, storing, viewing, graphing, charting and printing of data in several formats. FlowInspector requires a PC with Windows 98, NT, 2000, XP, Vista or Windows 7; CD-Rom drive; 800 x 600 screen resolution; serial port or USB/serial adapter; and a Seametrics DC3 data cable. FlowInspector can be used with an unlimited number of dataloggers.

*Older versions of FlowInspector are not compatible with the DL76.

FEATURES

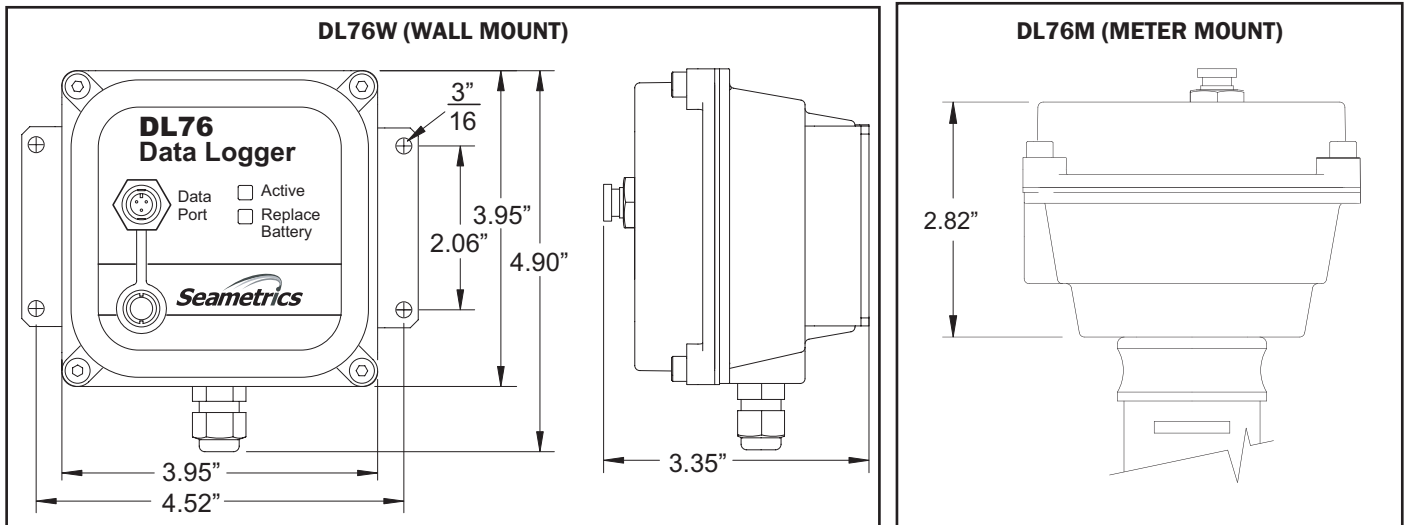


SPECIFICATIONS*

Power	Size C 3.6 Vdc lithium battery (included)		
Battery Life	Estimated life is 3-5 years depending on usage.		
Temperature	0° to 130° F (-18° to 54° C)		
Rate Units	Volume	mL, liter, gallon, Imperial gallon, cubic foot, cubic meter, million gallon	
	Time	Seconds, minutes, hours, days	
Total Units	Liter, gallon, Imperial gallon, cubic foot, cubic meter, million gallon, acre-foot, acre-inch, megaliter, thousand-gallon		
Data Storage Capacity	Capacity	at	Sampling Interval
	11 days	at	15 seconds
	22 days	at	30 seconds
	44 days	at	60 seconds
	6 months	at	240 seconds
	1 year	at	480 seconds
	3 years	at	1450 seconds
Maximum Input Frequency	500 Hz		
Indicators	Low battery; Power		
Memory Wraparound	Selectable options (Stop or Overwrite)		
Clock Accuracy	10 minutes/month (.02%)		

*Specifications subject to change • Please consult our website for current data (www.Seametrics.com).

DIMENSIONS

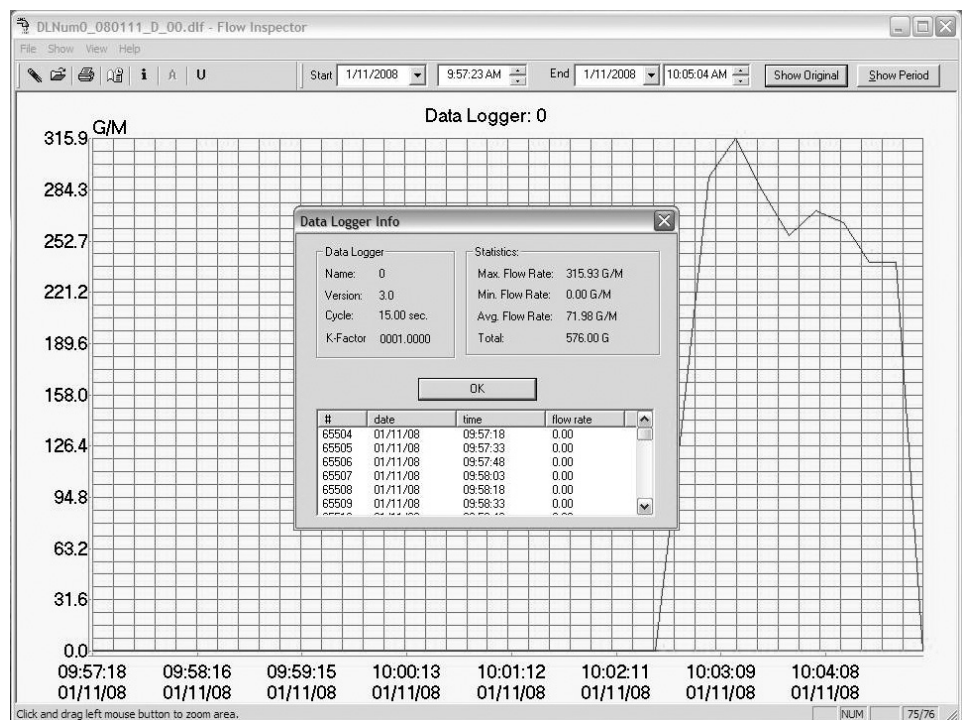


FlowInspector™ SOFTWARE

FlowInspector version 2 software (ordered separately) is required for setup and operation of the DL76, including data retrieval (with a laptop computer), storage, and analysis. (NOTE: Older versions of FlowInspector are not compatible with the DL76.)

FlowInspector Capabilities:

- Manage multiple loggers
- Record up to 3 years of data (depending on sampling interval)
- View current rate and total
- Download files to laptop
- Download files stored on the laptop
- Display flow information as a graph
- Display average and maximum/minimum flow rate for any selected time period
- Zoom in to graph any time period
- Show daily flow totals in table format
- Append multiple files
- Print graphs and tables
- Export data to an Excel spreadsheet (.csv) or simple text (.txt) file



HOW TO ORDER

MODEL

Data Logger = **DL76**

DL76

MOUNTING

Mechanical meter mount = **M**
Insertion magmeter mount = **ME**
Wall mount = **W**

SOFTWARE

FI-SW Version 2*

ACCESSORIES

Data Logger Cable for Laptop = **DC3**

NOTE: If used with a laptop configured with a USB port, a serial-to-USB converter cable is required. Four cables have been tested and proven compatible: IO Gear UC-232A; Keyspan USA-19HS; Airlink101 AC-USBS; and Goldx GXMU-1200.

NOTE: FlowInspector software is provided at no charge but must be ordered as a separate line item.

*FlowInspector software is also available for download at: www.seametrics.com/downloads

CONTACT YOUR SUPPLIER